

PARTS CATALOG

Workmaster 45/55 4 Cylinder Tractor

Print No. 84198495
8/2011



PARTS CATALOG

Workmaster 45/55 4 Cylinder Tractor

Print No. 84198495
8/2011



NEW HOLLAND

AGRICULTURE

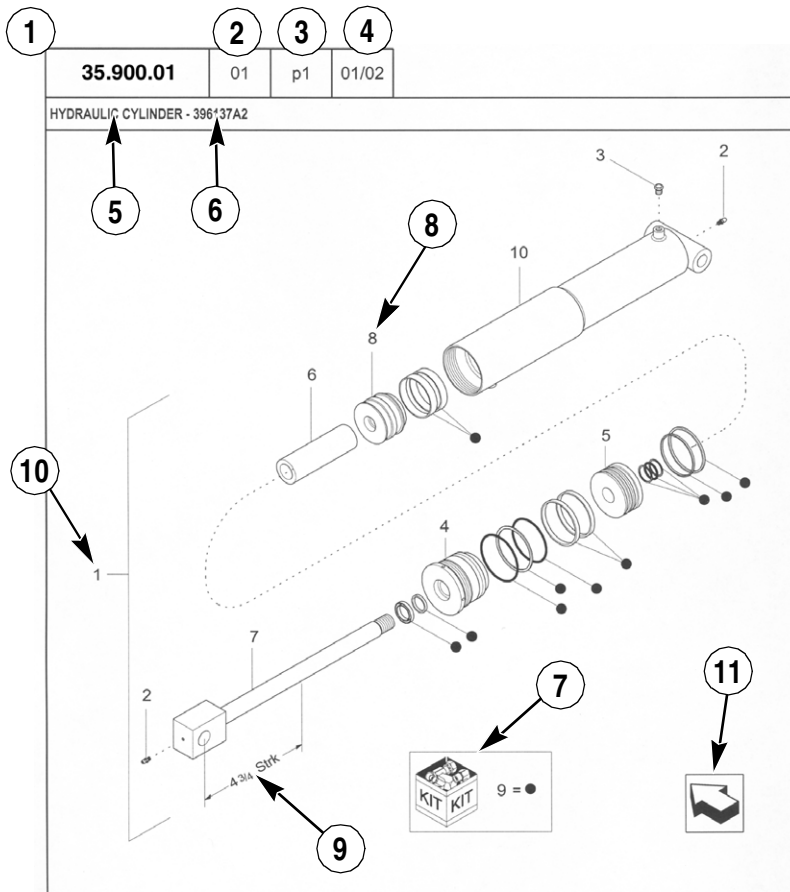


GENERAL INFORMATION

1. Whenever the terms left and right are used, it should be understood to mean from a position facing in direction of travel.
2. Throughout this manual you may find common hardware not illustrated, but listed in the description column. The service part immediately preceding a hardware listing is the part using these particular items for mounting purposes. This hardware is not included with the service part or assembly when ordered as a replacement.
3. The illustrations show typical assemblies plus individual parts but in all cases may not show the exact shape or detail of parts required. However, the purpose for the illustrations is to identify parts performing like functions. Whenever possible illustrations are located at the beginning of each section or immediately adjacent to the applicable text.
4. CNH America LLC is continually striving to improve its products. We must, therefore, reserve the right to make improvements or changes when it becomes practical and possible to do so, without incurring any obligation to make changes or additions to the equipment sold previously.

CNH America LLC, Racine, WI 53404 U.S.A.

How to Use Your Parts Catalog



HYDRAULIC CYLINDER - 396137A2					
REF	FN	PART NUMBER	YR/SN	QTY	DESCRIPTION
1	1	396137A2	BTW 01/85 & 02/02	1	CYLINDER ASSY. 4-3/4 in strk, Inc 2-10
2		31-95	Before 01/85	2	FITTING
2		219-8	From 01/85	2	NIPPLE, LUBE Grease, 1/4 tpr x 17/32
3		{402475A2}		1	BREATHER
4		402474A1		1	CAP CYLINDER END
5		402468A1	BSN JJC0189200	1	PISTON ROD/GLAND
5		145221C3	ASN JJC0189200	1	PISTON
6		402471A1		1	SPACER
7		402473A1		1	ROD, PISTON
8		402469A1		1	PISTON ROD/GLAND
9		402476A1		1	PACKAGE, SEALS
10		NSS		1	NOT SERVICED SEPARAT CASE ASSEMBLY
(1) 08-20					
STANDARD			MODELS		

How to Use Your Parts Catalog

1. Figure Number
2. Sequence code within the Figure Number
3. Page number within the Sequence Code
4. Date of Printing (month / year)
5. Figure Description
6. General information regarding the figure
7. Parts supplied in repair kits per symbol reference
8. Figure call-out of the part number (REF)
9. Technical Specifications relating to the part indicated
10. Figure call-out includes bracketed items, the included items may also be listed in the additional description area
11. Orientation - Arrow indicates front of the machine
12. Footnote - Additional information relating to the part number. In this example, 08-20 equals another figure that this part is shown on.
13. Part Number
 - NSS = Non-serviced parts
 - Bracketed numbers = not available as service parts in this market
14. Not Available as service part in this market
15. YR/SN
 - Year
 - Before 01/85 = Part valid for production January 1985 and before
 - From 01/85 = Part valid for production from January 1985 and after
 - BTW 01/85 & 02/02 = Part valid for machines produced between January 1985 and February 2002.
 - Serial Number (P.I.N.)
 - BSN JJC0268800 = Part valid for serial number JJC0268800 and below
 - ASN JJC0268800 = Part valid for serial number JJC0268800 and above
 - BTW JJC0178000 & JJC0179000 = Part valid for serial numbers between JJC0178000 & JJC0179000
16. Total Quantity of the Part referred to in the page. The quantity can be replaced by the following indications:
 - AR = quantity as required
 - X = as required
17. Part Description
18. Additional description of the part to help confirm identification
19. Figure Notes
20. Model Number(s)

Explanation of Abbreviations

Abbreviation	Meaning
adj	adjustable
amp	ampere
AR	As required
ASN	Serial number and after / P.I.N. and after
barb	barb
blkhd	bulkhead
boss	boss
BSN	before serial number / before P.I.N
BTW	between
cc	cubic centimetre
chain	chain
cl	class
cp pt	cup point
CRS	Chrome Alloy Steel
CST	Carbon Steel
cu yd	cubic yard
deg	degree
dia	diameter
dr type	drive type
dry	dry
fc	face
fc sl	face seal
fem	female
fem PT	female pipe thread
fl	flare
ft	feet (or foot)
gal	gallon(s)
gr	grade
hd	head
hp	horsepower
ID	inside diameter

Abbreviation	Meaning
in	inch(es)
Inc.	includes
inv fl	inverted flare
K	kilo
kg	kilogram
L	litre
lb	pound(s)
lg	long
LH	left hand
LH thd	left hand thread
links	links
M	(prefix) metric thread size
m	metre
male	male
mm	millimetre
NF	National Fine
No.	number
NS	National Super Fine
OD	outside diameter
ohm	electrical unit of resistance
Or	O-ring
orifice	orifice
P	pitch
piece	piece
psi	pounds per square inch
PT	pipe thread
rd	round
rd holes	round holes
RH	right hand
RH thd	right hand thread
rpm	revolutions per minute

Explanation of Abbreviations

Abbreviation	Meaning
sl	self locking
slat	slat
spool	spool
sq	square
SST	Stainless Steel
st	self tapping
stem	stem
strk	stroke
sw	swivel
T	teeth
Teflon	Teflon
thin	thin
thk	thick
tpr	taper

Abbreviation	Meaning
tube	tube
type	type
V	volt(s)
W	watt(s)
way	way
wide	wide
X	as required
yd	yard

Dimensions

Metric and U.S. hardware dimensions do not show the numeric designations of standard coarse threads. A number following a semi colon (;) is the class or grade of hardware. A comma (,) represents the decimal point (.) used in U.S. dimensions.



TABLE OF CONTENTS

00.100.01		INITIAL STOCKING LIST (ISL)
05.100.01	01	FILTERS & CAPACITIES - WORKMASTER 45
05.100.01	02	FILTERS & CAPACITIES - WORKMASTER 55
10.001.01	01	ENGINE
10.001.01	02	ENGINE
10.001.02	01	CYLINDER BLOCK
10.001.02	02	CYLINDER BLOCK
10.101.01	01	CYLINDER HEAD - VALVES
10.101.01	02	CYLINDER HEAD - VALVES - ROCKER SHAFT
10.101.02	02	CYLINDER HEAD COVER - ROCKER SHAFT
10.102.01		TIMING GEAR CASE
10.103.02		CRANKSHAFT & PISTONS
10.103.03		CYLINDER HEAD - COVER
10.103.04		FLYWHEEL - FLYWHEEL HOUSING
10.106.01		CAMSHAFT
10.110.02		BALANCER
10.124.01		FUEL LINES
10.202.01		AIR CLEANER
10.202.02	01	AIR CLEANER HOSES
10.202.02	02	AIR CLEANER HOSES
10.206.01		FUEL FILTER
10.216.01		FUEL TANK
10.220.01		THROTTLE CONTROL AND LINKAGE
10.246.01	01	INJECTION PUMP - FUEL LINES
10.246.01	02	INJECTION PUMP - INJECTORS
10.250.01		TURBOCHARGER - EXHAUST MANIFOLD
10.254.04	01	EXHAUST SYSTEM W/MUFFLER - VERTICAL
10.254.04	02	EXHAUST SYSTEM W/MUFFLER - VERTICAL
10.254.04	03	EXHAUST SYSTEM W/MUFFLER - HORIZONTAL
10.254.05		ENGINE - BLOCK HEATER
10.304.01	01	OIL PUMP
10.304.01	02	OIL PUMP
10.400.01	01	RADIATOR HOSES
10.400.01	02	RADIATOR HOSES
10.402.01	01	THERMOSTAT
10.402.01	02	THERMOSTAT
10.402.02	01	WATER PUMP
10.402.02	02	WATER PUMP
10.406.01	01	RADIATOR
10.406.01	02	RADIATOR
10.414.02		FAN
10.414.02	01	FAN DRIVE
10.414.02	02	FAN DRIVE
18.100.01	01	CLUTCH ASSEMBLY
18.100.01	02	CLUTCH PEDAL AND LINKAGE
21.112.01		8X8 SHUTTLE - HOUSING
21.114.01		TRANSMISSION HOUSING
21.130.01		8X8 SHUTTLE - CONTROL LEVERS, CABLE, LINKAGE
21.130.02		GEARSHIFT
21.130.03		GEAR SPLITTER CONTROL
21.140.01		GEARSHIFT FORKS

TABLE OF CONTENTS

21.140.02		TRANSMISSION GEARS AND SHAFTS
23.101.01		FRONT AXLE DRIVESHAFT - 4WD
23.101.02		FRONT AXLE DRIVESHAFT - SHIELD - 4WD
23.101.03		FRONT AXLE DROPBOX - 4WD
23.101.04		DROPBOX - GEARS - 4WD
23.101.05		CONTROL LEVER - 4WD
25.100.01		AXLE HOUSING - 4WD
25.102.01		FRONT AXLE - DIFFERENTIAL CARRIER - 4WD
25.102.02		FRONT AXLE - RING GEAR AND PINION - 4WD
25.102.03		FRONT AXLE - DIFFERENTIAL - 4WD
25.108.01		FRONT AXLE - AXLE SHAFT - 4WD
25.108.02		WHEEL HUB & STEERING KNUCKLE - 4WD
25.108.03		FRONT AXLE - FINAL DRIVE GEARS - 4WD
27.106.01	01	DIFFERENTIAL PINION SHAFT & GEARS - 4WD
27.106.01	02	DIFFERENTIAL PINION SHAFT & GEARS - 2WD
27.106.02		DIFFERENTIAL
27.110.01		DIFFERENTIAL LOCK PEDAL
27.110.02		DIFFERENTIAL LOCK SHIFT FORK
27.126.03		FINAL DRIVE - HOUSING & RING GEAR
27.126.04	01	FINAL DRIVE - LH
27.126.04	02	FINAL DRIVE - RH
31.101.01		PTO CONTROL LEVER
31.110.01		PTO CLUTCH LINKAGE
31.110.02		PTO - SHAFTS AND GEARS
33.110.01		PARKING BRAKE CONTROL
33.120.01	01	BRAKE DISCS - RH
33.120.01	02	BRAKE DISCS - LH
33.120.02		BRAKE PEDALS AND LINKAGE
35.100.01		HYDRAULIC LIFT CIRCUIT
35.108.01	01	HITCH CONTROL LEVER
35.108.01	02	HITCH CONTROL LEVER
35.110.01	01	LIFT HOUSING
35.110.01	02	LIFT HOUSING
35.110.03	01	HITCH CYLINDER AND LIFT ARMS
35.110.03	02	HITCH CYLINDER AND LIFT ARMS
35.112.01	01	LOAD SENSING LINKAGE
35.112.01	02	LOAD SENSING LINKAGE
35.114.01		LIFT CONTROL VALVE
35.120.01	01	TOP LINK BRACKET
35.120.01	02	TOP LINK BRACKET
35.120.02		TOP LINK
35.120.03		LIFT LINKS AND LOWER LINKS
35.120.04		HITCH SWAY LIMITER
35.204.03	01	REMOTE CONTROL VALVE
35.204.03	02	REMOTE CONTROL VALVE
35.204.04		2ND REMOTE VALVE DIA KIT - 719279012
37.100.01		SWINGING DRAWBAR
37.100.02		HITCH DRAWBAR KIT
37.140.01	01	WHEEL WEIGHT - REAR - SET OF 2
37.140.01	02	WHEEL WEIGHT - REAR - SET OF 4
37.140.01	03	WHEEL WEIGHT - REAR - SET OF 6

TABLE OF CONTENTS

37.140.02		BALLAST BOX
37.140.05		FRONT WEIGHT CARRIER - FRONT WEIGHTS
37.140.07	01	FRONT WEIGHT CARRIER
37.140.07	02	FRONT END WEIGHTS
41.106.01	01	TIE-ROD AND SPINDLES - 2WD
41.106.01	02	TIE-ROD AND SPINDLES - 2WD
41.106.02	02	STEERING ARMS - 2WD
41.106.03		STEERING TIE-ROD - 4WD
41.200.01	01	STEERING CYLINDER HOSES - 2WD
41.200.01	02	STEERING CYLINDER HOSES - 2WD
41.200.01	03	STEERING CYLINDER HOSES - 4WD
41.200.02		STEERING RESERVOIR TO PUMP CIRCUIT
41.200.03		POWER STEERING RESERVOIR
41.204.01		STEERING COLUMN
41.216.01	01	STEERING CYLINDER - 2WD
41.216.01	02	STEERING CYLINDER - 2WD
41.216.02		STEERING CYLINDER - 4WD
44.101.01	01	FRONT AXLE SUPPORT - 2WD
44.101.01	02	FRONT AXLE SUPPORT - 4WD
44.101.02		FRONT AXLE - 2WD
44.101.03		FRONT AXLE - 2WD
44.101.04	03	WHEEL HUB - 2WD
44.101.04	04	WHEEL HUB - 2WD
44.511.01	01	FRONT WHEELS - 2WD
44.511.01	02	FRONT WHEELS - 2WD
44.511.02		FRONT WHEELS - 4WD
44.511.03		REAR WHEELS
55.100.01		WIRING HARNESS
55.201.02		STARTER MOTOR - COMPONENTS
55.301.01		ALTERNATOR
55.301.02		BATTERY - BATTERY CABLES
55.404.01		HEADLAMPS
55.404.02		WORK LIGHT
55.408.01		HORN KIT
55.418.01		DASHBOARD - ELECTRICAL COMPONENTS
88.100.01		TOOL BOX
90.100.02		CONSOLE - STEERING
90.100.03		ENGINE HOOD
90.108.01	01	DECALS - MODEL IDENTIFICATION
90.108.01	02	DECALS - MODEL IDENTIFICATION
90.108.02		DECALS - OPERATING INSTRUCTIONS
90.108.03		SLOW VEHICLE SYMBOL
90.114.02		CANOPY
90.114.03		ROPS - FOLDABLE
90.115.01		ARMREST AND COVER
90.116.01		REAR FENDERS
90.116.02		FRONT BUMPER/ GRILLE GUARD- DIA KIT P/N 719849086
90.118.01		FOOTBOARDS AND STEP
90.120.01		SEAT BRACKET
90.120.02		SEAT

ALPHABETICAL INDEX	FIGURE	SEQ.
2ND REMOTE VALVE DIA KIT - 719279012	35.204.04	
8X8 SHUTTLE - CONTROL LEVERS, CABLE, LINKAGE	21.130.01	
8X8 SHUTTLE - HOUSING	21.112.01	
AIR CLEANER	10.202.01	
AIR CLEANER HOSES	10.202.02	02
AIR CLEANER HOSES	10.202.02	01
ALTERNATOR	55.301.01	
ARMREST AND COVER	90.115.01	
AXLE HOUSING - 4WD	25.100.01	
BALANCER	10.110.02	
BALLAST BOX	37.140.02	
BATTERY - BATTERY CABLES	55.301.02	
BRAKE DISCS - LH	33.120.01	02
BRAKE DISCS - RH	33.120.01	01
BRAKE PEDALS AND LINKAGE	33.120.02	
CAMSHAFT	10.106.01	
CANOPY	90.114.02	
CLUTCH ASSEMBLY	18.100.01	01
CLUTCH PEDAL AND LINKAGE	18.100.01	02
CONSOLE - STEERING	90.100.02	
CONTROL LEVER - 4WD	23.101.05	
CRANKSHAFT & PISTONS	10.103.02	
CYLINDER BLOCK	10.001.02	02
CYLINDER BLOCK	10.001.02	01
CYLINDER HEAD - COVER	10.103.03	
CYLINDER HEAD - VALVES	10.101.01	01
CYLINDER HEAD - VALVES - ROCKER SHAFT	10.101.01	02
CYLINDER HEAD COVER - ROCKER SHAFT	10.101.02	02
DASHBOARD - ELECTRICAL COMPONENTS	55.418.01	
DECALS - MODEL IDENTIFICATION	90.108.01	01
DECALS - MODEL IDENTIFICATION	90.108.01	02
DECALS - OPERATING INSTRUCTIONS	90.108.02	
DIFFERENTIAL	27.106.02	
DIFFERENTIAL LOCK PEDAL	27.110.01	
DIFFERENTIAL LOCK SHIFT FORK	27.110.02	
DIFFERENTIAL PINION SHAFT & GEARS - 2WD	27.106.01	02
DIFFERENTIAL PINION SHAFT & GEARS - 4WD	27.106.01	01
DROPBOX - GEARS - 4WD	23.101.04	
ENGINE	10.001.01	02
ENGINE	10.001.01	01
ENGINE - BLOCK HEATER	10.254.05	
ENGINE HOOD	90.100.03	
EXHAUST SYSTEM W/MUFFLER - HORIZONTAL	10.254.04	03
EXHAUST SYSTEM W/MUFFLER - VERTICAL	10.254.04	02
EXHAUST SYSTEM W/MUFFLER - VERTICAL	10.254.04	01
FAN	10.414.02	
FAN DRIVE	10.414.02	02
FAN DRIVE	10.414.02	01
FILTERS & CAPACITIES - WORKMASTER 45	05.100.01	01
FILTERS & CAPACITIES - WORKMASTER 55	05.100.01	02
FINAL DRIVE - HOUSING & RING GEAR	27.126.03	
FINAL DRIVE - LH	27.126.04	01
FINAL DRIVE - RH	27.126.04	02
FLYWHEEL - FLYWHEEL HOUSING	10.103.04	
FOOTBOARDS AND STEP	90.118.01	
FRONT AXLE - 2WD	44.101.03	

FRONT AXLE - 2WD	44.101.02	
FRONT AXLE - AXLE SHAFT - 4WD	25.108.01	
FRONT AXLE - DIFFERENTIAL - 4WD	25.102.03	
FRONT AXLE - DIFFERENTIAL CARRIER - 4WD	25.102.01	
FRONT AXLE - FINAL DRIVE GEARS - 4WD	25.108.03	
FRONT AXLE - RING GEAR AND PINION - 4WD	25.102.02	
FRONT AXLE DRIVESHAFT - 4WD	23.101.01	
FRONT AXLE DRIVESHAFT - SHIELD - 4WD	23.101.02	
FRONT AXLE DROPBOX - 4WD	23.101.03	
FRONT AXLE SUPPORT - 2WD	44.101.01	01
FRONT AXLE SUPPORT - 4WD	44.101.01	02
FRONT BUMPER/ GRILLE GUARD- DIA KIT P/N 719849086	90.116.02	
FRONT END WEIGHTS	37.140.07	02
FRONT WEIGHT CARRIER	37.140.07	01
FRONT WEIGHT CARRIER - FRONT WEIGHTS	37.140.05	
FRONT WHEELS - 2WD	44.511.01	01
FRONT WHEELS - 2WD	44.511.01	02
FRONT WHEELS - 4WD	44.511.02	
FUEL FILTER	10.206.01	
FUEL LINES	10.124.01	
FUEL TANK	10.216.01	
GEAR SPLITTER CONTROL	21.130.03	
GEARSHIFT	21.130.02	
GEARSHIFT FORKS	21.140.01	
HEADLAMPS	55.404.01	
HITCH CONTROL LEVER	35.108.01	02
HITCH CONTROL LEVER	35.108.01	01
HITCH CYLINDER AND LIFT ARMS	35.110.03	02
HITCH CYLINDER AND LIFT ARMS	35.110.03	01
HITCH DRAWBAR KIT	37.100.02	
HITCH SWAY LIMITER	35.120.04	
HORN KIT	55.408.01	
HYDRAULIC LIFT CIRCUIT	35.100.01	
INITIAL STOCKING LIST (ISL)	00.100.01	
INJECTION PUMP - FUEL LINES	10.246.01	01
INJECTION PUMP - INJECTORS	10.246.01	02
LIFT CONTROL VALVE	35.114.01	
LIFT HOUSING	35.110.01	02
LIFT HOUSING	35.110.01	01
LIFT LINKS AND LOWER LINKS	35.120.03	
LOAD SENSING LINKAGE	35.112.01	02
LOAD SENSING LINKAGE	35.112.01	01
OIL PUMP	10.304.01	02
OIL PUMP	10.304.01	01
PARKING BRAKE CONTROL	33.110.01	
POWER STEERING RESERVOIR	41.200.03	
PTO - SHAFTS AND GEARS	31.110.02	
PTO CLUTCH LINKAGE	31.110.01	
PTO CONTROL LEVER	31.101.01	
RADIATOR	10.406.01	01
RADIATOR	10.406.01	02
RADIATOR HOSES	10.400.01	01
RADIATOR HOSES	10.400.01	02
REAR FENDERS	90.116.01	
REAR WHEELS	44.511.03	
REMOTE CONTROL VALVE	35.204.03	02
REMOTE CONTROL VALVE	35.204.03	01
ROPS - FOLDABLE	90.114.03	

SEAT	90.120.02	
SEAT BRACKET	90.120.01	
SLOW VEHICLE SYMBOL	90.108.03	
STARTER MOTOR - COMPONENTS	55.201.02	
STEERING ARMS - 2WD	41.106.02	02
STEERING COLUMN	41.204.01	
STEERING CYLINDER - 2WD	41.216.01	01
STEERING CYLINDER - 2WD	41.216.01	02
STEERING CYLINDER - 4WD	41.216.02	
STEERING CYLINDER HOSES - 2WD	41.200.01	01
STEERING CYLINDER HOSES - 2WD	41.200.01	02
STEERING CYLINDER HOSES - 4WD	41.200.01	03
STEERING RESERVOIR TO PUMP CIRCUIT	41.200.02	
STEERING TIE-ROD - 4WD	41.106.03	
SWINGING DRAWBAR	37.100.01	
THERMOSTAT	10.402.01	02
THERMOSTAT	10.402.01	01
THROTTLE CONTROL AND LINKAGE	10.220.01	
TIE-ROD AND SPINDLES - 2WD	41.106.01	01
TIE-ROD AND SPINDLES - 2WD	41.106.01	02
TIMING GEAR CASE	10.102.01	
TOOL BOX	88.100.01	
TOP LINK	35.120.02	
TOP LINK BRACKET	35.120.01	02
TOP LINK BRACKET	35.120.01	01
TRANSMISSION GEARS AND SHAFTS	21.140.02	
TRANSMISSION HOUSING	21.114.01	
TURBOCHARGER - EXHAUST MANIFOLD	10.250.01	
WATER PUMP	10.402.02	01
WATER PUMP	10.402.02	02
WHEEL HUB - 2WD	44.101.04	04
WHEEL HUB - 2WD	44.101.04	03
WHEEL HUB & STEERING KNUCKLE - 4WD	25.108.02	
WHEEL WEIGHT - REAR - SET OF 2	37.140.01	01
WHEEL WEIGHT - REAR - SET OF 4	37.140.01	02
WHEEL WEIGHT - REAR - SET OF 6	37.140.01	03
WIRING HARNESS	55.100.01	
WORK LIGHT	55.404.02	

SECTION INDEX

00 - Maintenance

00.100.01

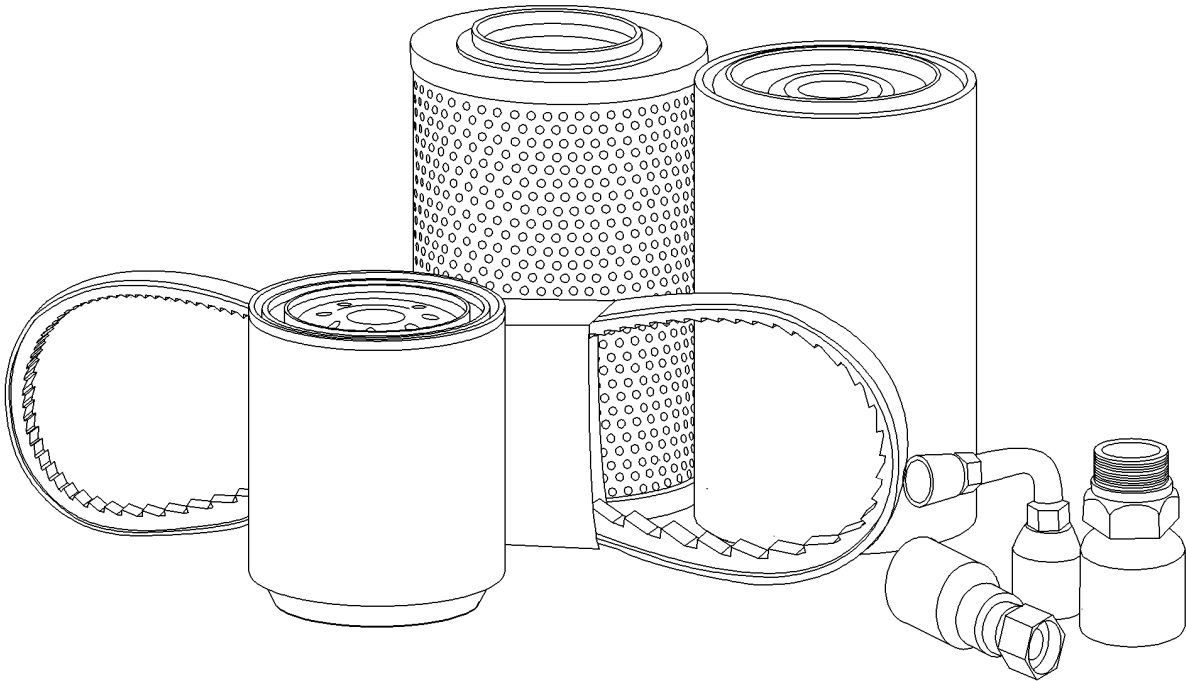
INITIAL STOCKING LIST (ISL)

00.100.01

p1

07/11

INITIAL STOCKING LIST (ISL)



INITIAL STOCKING LIST (ISL)

REF	FN	PART NUMBER	YR/SN	QTY	DESCRIPTION
		{LIST A}			Parts Required For Preventative Maintenance
1		87415600		1	ENGINE OIL FILTER
2		9971308		1	ELEMENT, Air, Outer
3		9971309		1	AIR FILTER, Element Inner
4		87300041		1	ELEMENT, Fuel
5		1909143		1	HYDRAULIC OIL FILTER, Power Steering
6		87391715		1	ENGINE OIL FILTER
7		301525A1		1	BELT, Fan
		{LIST B}			Parts Required For Preventative Maintenance And Basic Repair
8		F770DS		1	DRY BATTERY, U.S.
9		9624465DS		1	DRY BATTERY, Canada
10		87494073		1	BUZZER, Operator Presence
11		SBA198436010		1	FILLER CAP, Oil
12		SBA052100400		1	O-RING, 39.7mm ID x 3.5mm Width, Oil Cap
13		82824624		1	LOCKABLE FUEL CAP
14		87385234		1	SWITCH, Operator Presence
15		82824863		2	SWITCH ASSY, Brake/Clutch
16		87648927		1	FLASHER SWITCH, Hazard
17		87302334		1	SWITCH, NC/CO DPST
18		87414866		3	RELAY, 20 Amp
19		86529089		1	RELAY, SPTD (12V)
					WORKMASTER 55 WORKMASTER 45

**Thanks very much for your reading,
Want to get more information,
Please click here, Then get the complete
manual**

JustClickHere 

NOTE:

**If there is no response to click on the link above,
please download the PDF document first, and then
click on it.**

**Have any questions please write to me:
admin@servicemanualperfect.com**